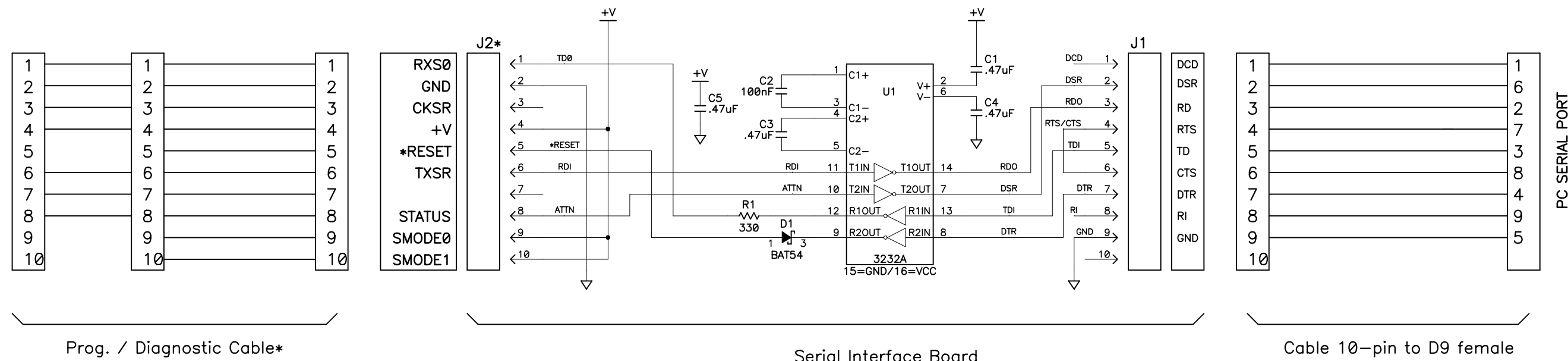


REVISION HISTORY			REVISION APPROVAL			
REV	ECO	DESCRIPTION	PROJECT ENGINEER	APPROVAL DATE	DOCUMENT CONTROL	APPROVAL DATE
A	E11523	INITIAL RELEASE OF SCHEMATIC	EP	5/14/01	KIS	5/14/01
B	E11691	CORRECT DE9 PINOUT	EP	10/5/01	KIS	10/4/01
C	E11816	ADD 3.3V CAPABILITY AND RED TUBING	DM	1/24/02	KIS	1/24/02
D	E12100	ADD INFORMATION ABOUT SECOND CABLE VERSION.	DM	10/30/02	KIS	10/23/02



* THE STANDARD VERSION OF THIS CABLE HAS 2 MM CONNECTIONS AT J2 AND AT THE END OF THE PROG/DIAGNOSTIC CABLE. THIS VERSION IS WRAPPED WITH RED HEAT SHRINK. THE SMALLER PITCH VERSION USES 1.27 MM CONNECTIONS AND BLUE HEAT SHRINK.

- NOTES: UNLESS OTHERWISE SPECIFIED;
1. ALL RESISTOR VALUES ARE IN OHMS, 1/10W, 5%
 2. ALL CAPACITORS ARE 50VDC OR HIGHER.
 3. THE ORIGINATION SOURCE OF A VOLTAGE IS REPRESENTED BY (VCC), AND ALL REFERENCES TO THAT VOLTAGE ARE REPRESENTED BY (VCC).

THIS SCHEMATIC REPLACES THE RABBIT SIB SCHEMATIC, 090-0085.

APPEND THE FOLLOWING DOCUMENTS WHEN CHANGING THIS DOCUMENT:		DRAWING CONTENT:		TITLE	
		DRAWN BY: (INITIAL RELEASE) E. PEAK	14MAY01	SCHEMATIC DIAGRAM RABBIT PROG. CABLE 3.3V - 5.0V	
		REVISED BY: K.SCHALLER	10/23/02		
APPROVALS: INITIAL RELEASE					
		PROJECT ENGINEER: ERIC PEAK	5/14/01	SIZE B	DWG NO. 090-0128
		ENGINEERING MANAGER: R MATTHEWS	5/14/01	SCALE NONE	RELEASE DATE 5/14/01
		SIGNATURES	DATE	SHEET 1	OF 1

